



**SHELCO
FILTERS**



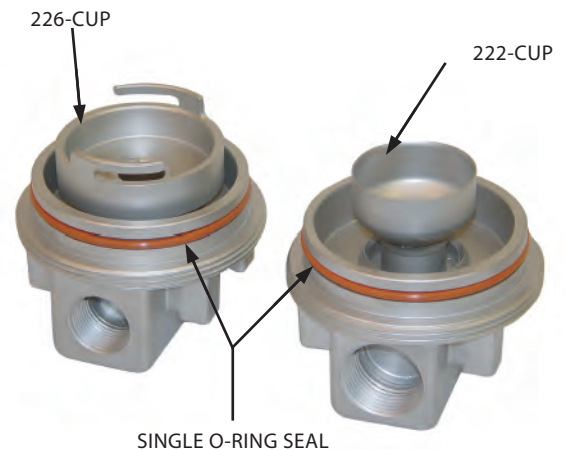
CSF SERIES

Single Cartridge Housings

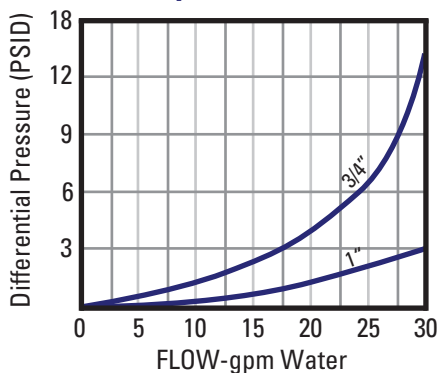
The CSF series single open end cartridge housing accepts either 222 or 226 style elements, and is made of 316L Stainless Steel with a maximum design working pressure of 300 P.S.I. (20 bar) @ 200°F (93°C). Designed with a quick locking ring closure for easy cartridge change outs. The CSF Series is available in ¾" and 1" connections with other fittings available. As well as a wide variety of gasket options that make this housing compatible with almost any fluid. The standard gasket material is Buna-N. Please refer to our complete ordering guide for a complete list of options or contact one of our technical specialist for help.

Features

- Designed for industrial and commercial filtration needs
- Heavy duty construction for durability
- Offered in 316L stainless steel
- Plated ring closure for quick cartridge change outs
- In line fittings for easy installation
- Available in 222 or 226 style adaptors
- Housings accept both fin or flat cap configurations
- Choose from FNPT, Flanged, Sanitary or BSP connections
- Standard with mounting bracket kit.



Housing Pressure Drop vs. Liquid Flow Rate

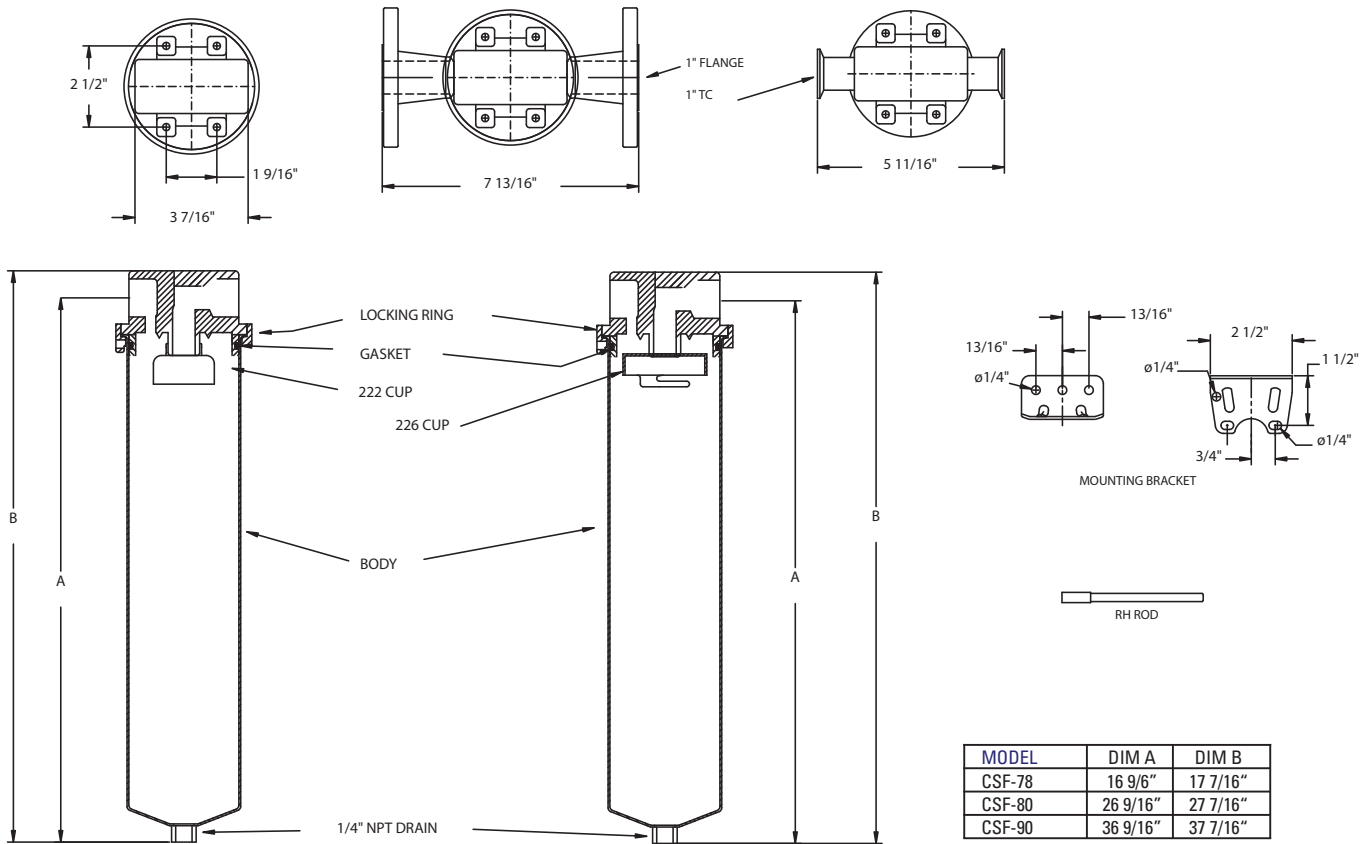


Standard Specifications

Model	No. & (Length) of Cartridge	Flow Rate GPM*	Drain	Max Ctg Diameter	Approx. Ship Weight	Box Size
CSF-78	1 (10")	7	1/4" NPT	2 3/4" OD	7 lbs	4x5x16
CSF-80	1 (20")	14	1/4" NPT	2 3/4" OD	9 lbs	4x5x25
CSF-90	1 (30")	21	1/4" NPT	2 3/4" OD	12 lbs	4x5x34

*Based on 7 gpm per 10" length with a 25 micron wound cartridge at 2 psid clean and a viscosity of 1 cps. Flow rates are for guide lines only. Actual flow rates are based on fluid, viscosity, cartridge type, micron ratings and other factors.

Dimensions



ORDERING GUIDE

CSF	-	78	8	-	222	-	ITC	-	S
Model / Material		Cartridge Length	Pipe Size FNPT		Cartridge Style		Options		Gasket
CSF 316 L Stainless Steel with stainless steel drain plug. Closure ring is nickel plated brass and is a non wetted part.		78 = 10" 80 = 20" 90 = 30"	6 = 3/4" 8 = 1"		222 = 222 Cup 226 = 226 Cup with locking tabs		Blank = None BSP = BSP thread 1F = 1" Flange 1TC = 1" Ferrules *GP4 = 1/4" gauge port *GP8 = 1/8" gauge port		Blank = Buna E = EPR S = Silicone V = Viton

* When ordering vents or gauge ports you must specify location I = Inlet, O = Outlet and I/O = Inlet & Outlet. Example GP4I or GP4I/O.

Shelco's Micro Vantage™
High efficiency and Absolute rated cartridges



 **Pure Aqua, Inc.**
A Global Leader in Water Treatment Systems

www.pure-aqua.com