



FLINT & WALLING, INC.

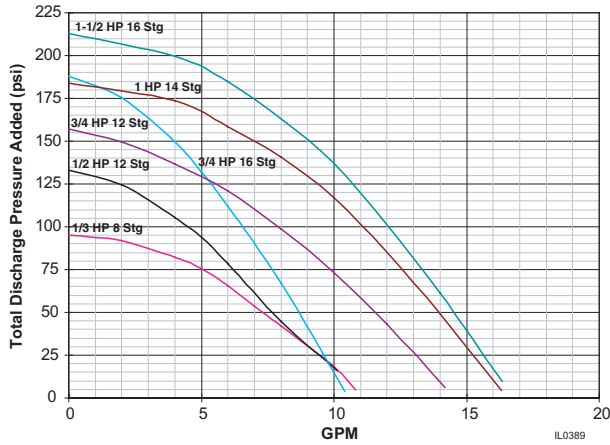
Pressure Booster Pump Submittal Data



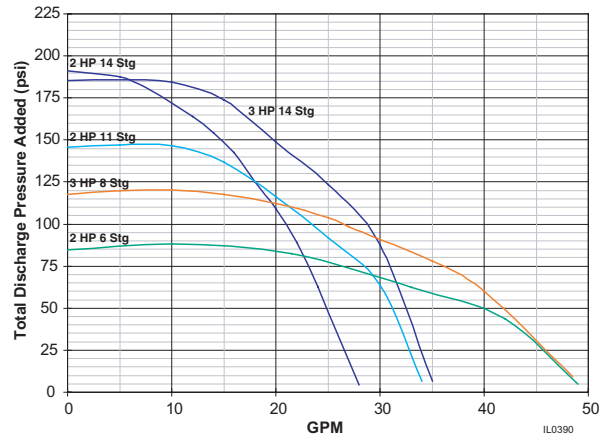
Job or Customer	
Engineer	
Contractor	
Submitted by	Date
Approved by	Date
Specification Reference	
Quote Date	Quote Number

Quantity	Model Number	System Discharge Pressure (PSI)	Flow (GPM)	System Inlet Pressure (PSI)	Volts	Phase	Comments

PRESSURE BOOSTER PUMP



PRESSURE BOOSTER PUMP



PERFORMANCE SPECIFICATIONS

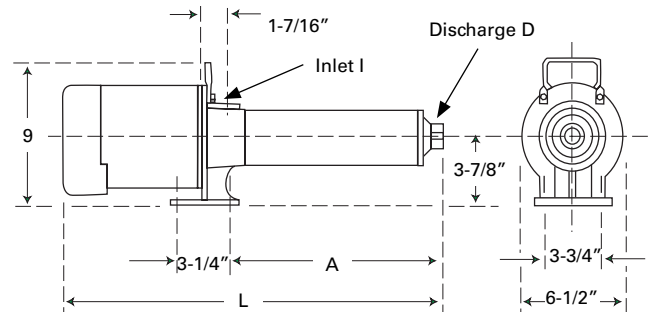
PRESSURE ADDED - PSI†		10	20	40	60	80	100	120	140	160	180	200	Max. Press. PSI	Dimensions in Inches				Ship Wt. (Lbs.)
Stainless Steel Fitted	Powder-Coated Cast Iron Fitted	Cast Iron Fitted	HP	Stage	Output - Gallons per Minute									A	Overall Length L	Inlet Pipe Tap I	Disch. Pipe Tap D	
	PB0508C031	PB0508A031*	1/3	8	9.5	8.7	7.3	5.8	3.5				87	10-3/16	9-15/16	3/4" NPT	3/4" NPT	36
PB0512S051	PB0512C051	PB0512A051*	1/2	12	9.8	9.2	8.2	7.3	6.3	5.2	3.5		131	13-3/8	23-3/8			39
PB0516S071	PB0516C071	PB0516A071*	3/4	16	9.9	9.5	8.7	8.0	7.3	6.5	5.8	4.8	175	16-1/2	27			44
PB0712S071	PB0712C071	PB0712A071*	3/4	12	14.0	13.4	12.2	10.9	9.5	7.9	6.0	3.6	152	13-3/8	23-7/8			43
PB1014S101	PB1014C101	PB1014A101	1	14	*	*	14.5	13.4	12.3	11.2	9.8	8.3	185	16-5/16	27-1/4			48
PB1016S151	PB1016C151	PB1016A151	1-1/2	16	*	*	14.7	13.8	12.9	11.9	10.8	9.7	211	18-1/8	29-11/16			53
PB1914S201	PB1914C201	PB1914A201	2	14	27.5	27.0	25.7	24.2	22.6	20.8	18.7	16.2	190	17-7/8	30	56		
PB3506S201	PB3506C201	PB3506A201	2	6	41.5	41.1	40.5	34.2	23.3				90	13-15/16	25-7/8	51		
PB2711S201	PB2711C201	PB2711A201	2	11	*	*	31.3	29.3	26.8	23.8	19.8	13.0	150	15-3/8	27-1/2	1" NPT	1" NPT	56
PB3508S301	PB3508C301	PB3508A301	3	8	41.5	41.1	40.9	40.0	34.2	26.4	10.0		120	17-1/8	29-3/16			53
PB2714S301	PB2714C301	PB2714A301	3	14	*	*	32.2	30.6	28.9	27.0	24.8	22.0	190	18-1/2	30-9/16			57

† Example: If PB0508A031 pump is connected to supply line of sufficient capacity, carrying water at 40 PSI, and the output of the pump is held to 7.3 GPM by a gate valve, the pump will add 40 PSI to line pressure for a total output pressure of 80 PSI.

- * Operation of pump in this range may result in reduced pump life and/or motor damage. To keep pump and seal lubricated, a minimum flow of 1.5 GPM must always be maintained through the pump.

• Handle included with these models only.

For three phase models, use suffix "3" on the model no. Example: PB0512A053



GENERAL DATA

PUMP DATA

Flow Range: 1.5 TO 41.5 U.S. GPM
 Pressure Boost Range: 86 to 216 PSI
 Liquid Temperatures: 34°F to 140°F



Agency Approvals:
 Duty Cycle Continuous
 Pumping Medium Clear Water
 Service/Repair Information Pump and Motor Field Serviceable

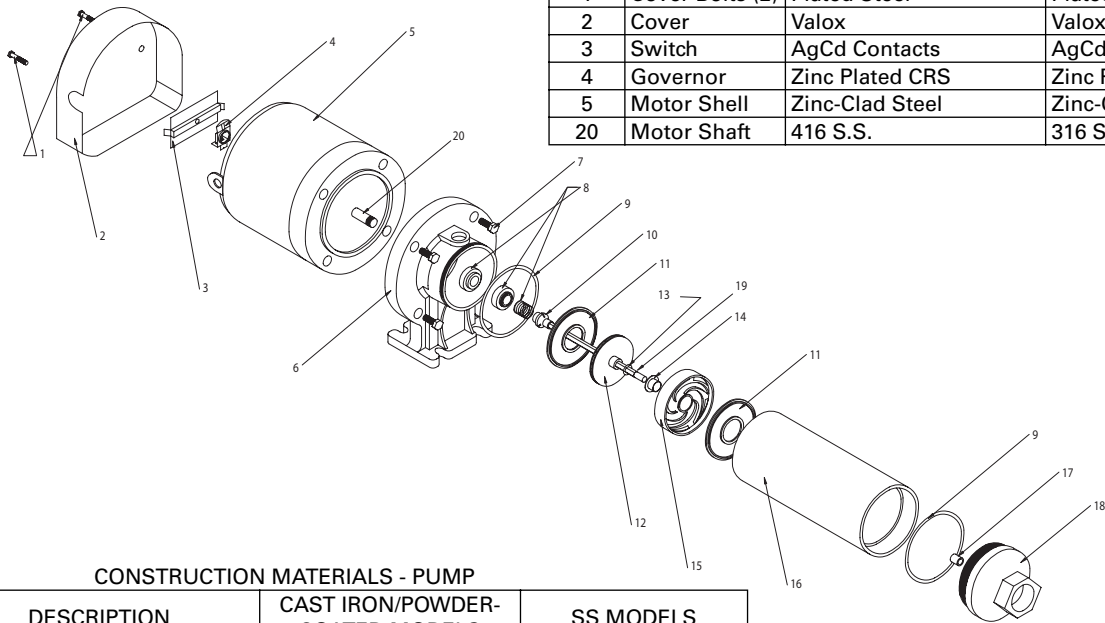
MOTOR DATA

HP	Locked-Rotor Torque (Starting Torque) In-Lbs.	Single Phase						3 Phase				
		S.F.	Max. Amb.	Max. Amb. @ SF before Overload Tripping	Breakdown Torque In-Lbs.	Peak Output Power		S.F.	Max. Amb.	Breakdown Torque In-Lbs.	Peak Output Power	
						HP	kW				HP	kW
1/3	16	1.75	65° C/149° F	70° C/158° F	17	0.85	0.6	N/A	N/A	N/A	N/A	N/A
1/2	23	1.6	65° C/149° F	70° C/158° F	27	1.3	1.0	1.6	65° C	42	2.0	1.5
3/4	29	1.5	65° C/149° F	70° C/158° F	42	2.1	1.6	1.5	65° C	49	2.3	1.7
1	48	1.4	65° C/149° F	66° C/151° F	52	2.5	1.9	1.4	65° C	74	3.5	2.6
1.5	59	1.3	65° C/149° F	66° C/151° F	76	3.8	2.8	1.3	65° C	90	4.3	3.2
2	63	1.25	65° C/149° F	66° C/151° F	80	4.0	3.0	1.25	65° C	112	5.3	4.0
3	65	1.0	65° C/149° F	66° C/151° F	95	4.5	3.4	1.0	65° C	125	5.9	4.4

Motor Voltage: Single Phase 1/3 - 2 HP - 115/230; 3HP - 230V 60 Hz.
 Three Phase 1/2 - 2 HP - 208-230/460, 50/60Hz
 Three Phase 3 HP - 208-230/460, 60Hz

CONSTRUCTION MATERIALS - MOTOR

ITEM NO.	DESCRIPTION	CAST IRON/POWDER-COATED MODELS	SS MODELS
1	Cover Bolts (2)	Plated Steel	Plated Steel
2	Cover	Valox	Valox
3	Switch	AgCd Contacts	AgCd Contacts
4	Governor	Zinc Plated CRS	Zinc Plated CRS
5	Motor Shell	Zinc-Clad Steel	Zinc-Clad Steel
20	Motor Shaft	416 S.S.	316 S.S.



CONSTRUCTION MATERIALS - PUMP

ITEM NO.	DESCRIPTION	CAST IRON/POWDER-COATED MODELS	SS MODELS
6	Mounting Ring	Cast Iron/Powder-Coated	316 S.S.
7	Motor/Mounting Ring Bolts (4)	Plated Steel	Plated Steel
8	Seal, Rotary w/Spring	Ceramic - Carbon/S.S. & Buna N	Ceramic-Carbon/S.S. & Viton
9	O-Ring (2)	Buna-N	Viton
10	Coupling	316 Sintered S.S.	316 Sintered S.S.
11	Plate	Celcon	Celcon
12	Impeller	Noryl 731	Noryl 731
13	Shim as Required	300 S.S.	300 S.S.
14	Bearing	300 S.S.	300 S.S.
15	Diffuser	Noryl 731	Noryl 731
16	Barrel	304 S.S.	304 S.S.
17	Discharge Bearing	Sintered Bronze	Sintered Bronze
18	Discharge Head	Cast Iron/Powder-Coated	316 S.S.
19	Pump Shaft	416 S.S.	316 S.S.

IL0127