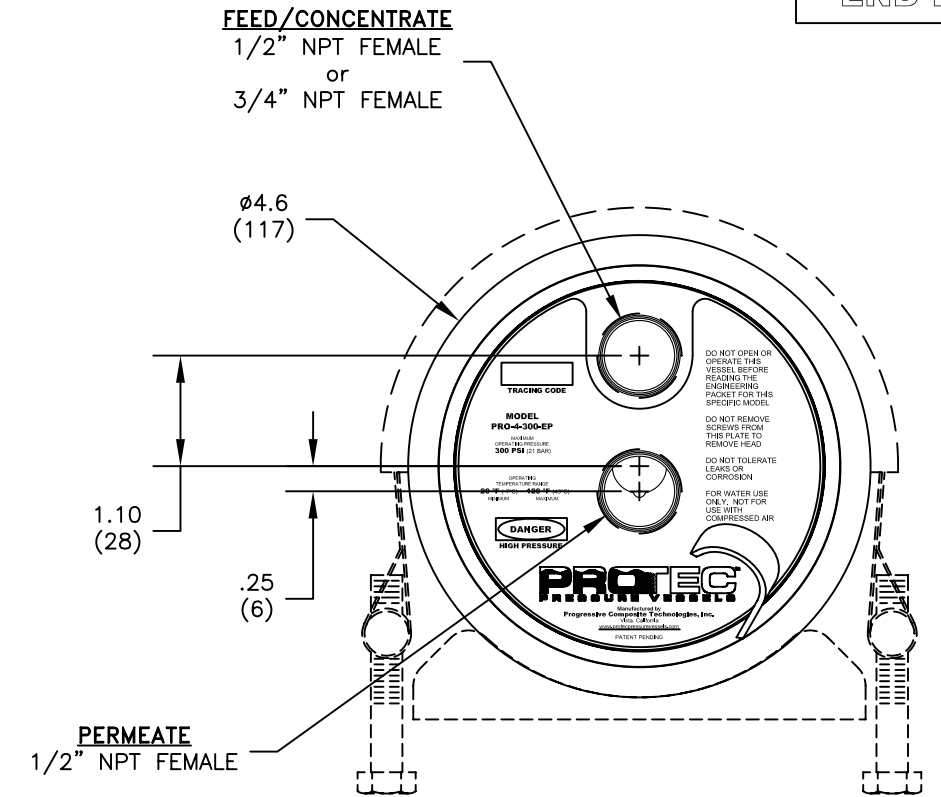
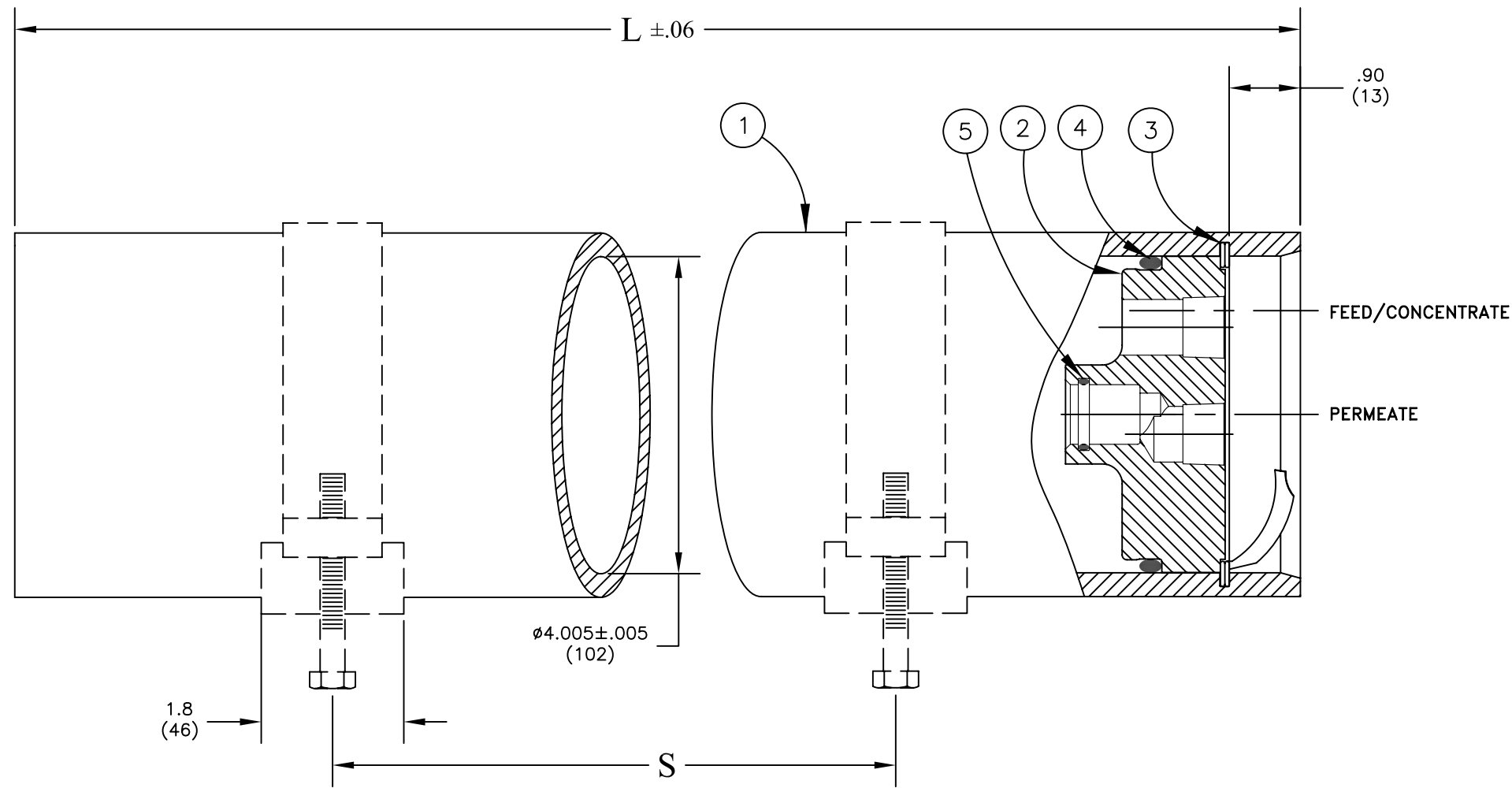


**300 PSI  
END PORT**



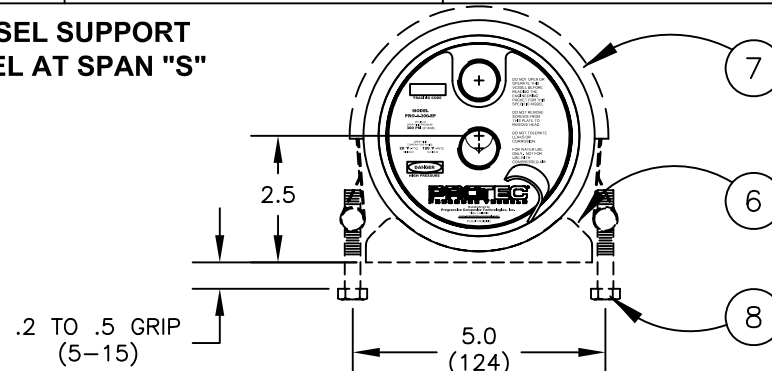
Shell Length Code	L inch (mm)	S Span in (mm)	Empty Weight lb (kg)
-1	44.3 (1125.2)	28 (711)	10 (5)
-2	84.3 (2141.2)	56 (1422)	18 (8)
-3	124.3 (3157.2)	80 (2032)	26 (12)

ITEM	QTY	P/N	DESCRIPTION	MATERIAL
1	1	4040084	Shell	Filament Wound, Epoxy FRP
2	2	4040087-1 4040088-1	End Plug, 1/2" NPT Feed (shown) End Plug, 3/4" NPT Feed	PVC Thermoplastic PVC Thermoplastic
3	2	4040079	Retaining Ring w/ Finger Pull	Stainless Steel, 300 Series
4	2	6180342	Plug Seal, O-Ring	Ethylene Propylene
5	2	6180116	PWT Seal, O-Ring	Ethylene Propylene

**OPTIONAL VESSEL SUPPORT**

6	2	4040037	Support Saddle	Polyurethane
7	2	4040040	Strap Assembly	Stainless Steel, 300 Series
8	4	6150001	Strap Screw	Stainless Steel, 18-8

**OPTIONAL VESSEL SUPPORT  
SUPPORT VESSEL AT SPAN "S"**



**NOTES:**

DIMENSIONS IN INCHES (MM APPROX.)

FOR REFERENCE ONLY, NOT TO BE USED FOR CONSTRUCTION UNLESS CERTIFIED

CENTER VESSEL ON 2 SUPPORTS AT SPAN "S".

**INCORRECT MANIFOLDING WILL CAUSE SEVERE LOCAL STRESS AROUND PORT AND MAY RESULT IN LEAKS AND PREMATURE FAILURE. TAKE EVERY PRECAUTION LISTED IN THIS PACKET.**

SPECIFICATIONS SUBJECT TO CHANGE WITHOUT NOTICE

**PROTEC™**  
BEKAERT PROGRESSIVE COMPOSITES

Vista, California, U.S.A.

ENGR  
AP  
1/27/04  
QLTY  
WJ  
1/27/04  
DRAWN  
DS  
1/27/04

**PRO 4-300-EP**

DRAWING	REV
ECO 09144	J
REVISED 6/5/09	
DRAWING 104003	